

FPBL Eco Backlit Panel

Indoor

ATG's Backlit Panel is a commercial luminaire and the economic option to the NOVA Flat Panel. The back-lit technology makes even light distribution no longer limited to a lighting grid panel. It provides high uniformity, excellent efficiency and reduced glare in T-grid ceiling applications.



Luminaire	Eco Backlit Panel	Type
Project		
Product		
Notes		

Features
<ul style="list-style-type: none"> Available in 2'X4' and 2'x2' Recessed Grid Ceiling or Wire Suspended PS Diffuser, and PMMA LED Lens



Order Format

Sample: FPBL24 - 40W - 30

Series	Dimensions	Wattage	CCT	Voltage	Dimming	Lens	Finish Color
FPBL =Backlit Panel	22=2'x2' 24=2'x4'	- 20W 30W 40W	- 35=3500K 40=4000K 50=5000K	- Blank=100-277V	- Blank=1-10V Dimming ND=Non-Dimming	Blank=Milky Lens	Blank=Matte Finish

Application

The Eco Backlit Panel is ideally installed in exposed T-Bar ceilings as a recessed grid mount, or wire suspended with accessories. The clean design and uniformity in light distribution make this fixture ideal for office spaces.



Construction

The Backlit panel is designed to be thin and streamlined, at only 1.4 inches in width (not counting driver connection, fixed on back). No internal cleaning is required as the optical module is permanently sealed. This design features a PMMA lens, PS Diffuser, aluminum Frame, and zinc-coated iron as the back housing. Fixture is IP40 rated.



Electrical

The fixture tests for lumen efficacy up to 125 Lm/W. Input voltage is available in a standard 100-277V. Short circuit protection and Fixture lifespan is rated for 50,000 hours or greater.

Optics

The PMMA lens and backlit housing deliver uniformly intense light distribution. CRI is a superior 80, allowing comfortable yet effective illumination. The luminaire is available in a variety of color temperatures from 3000K to 5000K CCT.

Certifications

- DLC Premium
- ETL listed
- IP40 rated

Input Voltage (VAC)	100-277
CRI	83
CCT(K)	*3000, *3500, 4000, *4500, 5000
PF	.95
THD	<20%
L70 (Hours)	50,000+
Color	White
Housing	UV resistant, Aluminum Frame, Zinc Coated Iron
Lens	PMMA Lens with PS Diffuser
Temperature Range	-20°C to 40°C
Warranty	5 Years

*contact sales for lead time

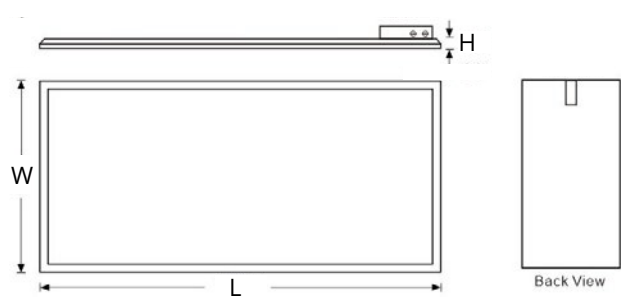
Lumen Data

Wattage (W)	30K		35K		40K		45K		50K	
	Efficacy (Lm/W)	Lumens (Lm)	Efficacy (Lm/W)	Lumens (Lm)	Efficacy (Lm/W)	Lumens (Lm)	Efficacy (Lm/W)	Lumens (Lm)	Efficacy (Lm/W)	Lumens (Lm)
20W	125	2,500	126	2,520	127	2,540	128	2,560	129	2,580
30W	125	3,750	126	3,780	127	3,810	128	3,840	129	3,871
40W	125	4,994	126	5,036	127	5,077	128	5,118	129	5,201

20W available in 2'x2', 30W and 40W available in 2'x4'

Dimensions

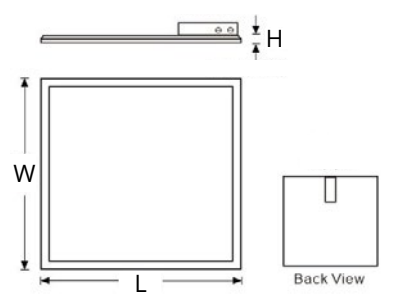
**30W
40W**



Part No.	Length (L)	Width(W)	Height(H)
FPBL24-30W	47.8	23.8	1.4
FPBL24-40W	47.8	23.8	1.4

Recorded in inches

20W



Part No.	Length (L)	Width(W)	Height(H)
FPBL22-20W	23.8	23.8	1.4

Recorded in inches

Mounting

Suspension